

## ZARF2080-L-TV

Needle roller/axial cylindrical roller bearing

Schaeffler ID:  
0016826950000

Needle roller/axial cylindrical roller bearings ZARF...-L, double direction, for screw mounting, long shaft locating washer

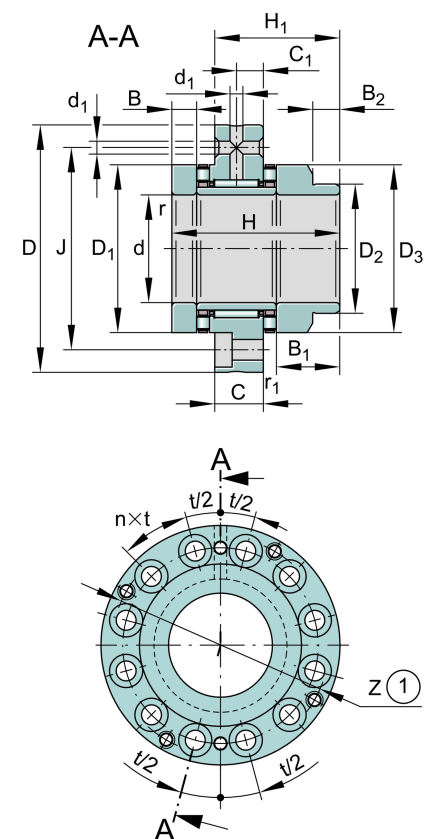
### Technical information

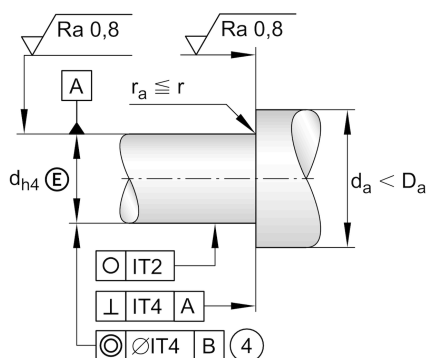
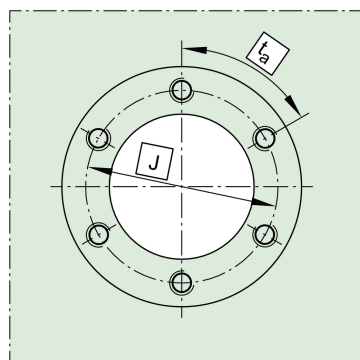
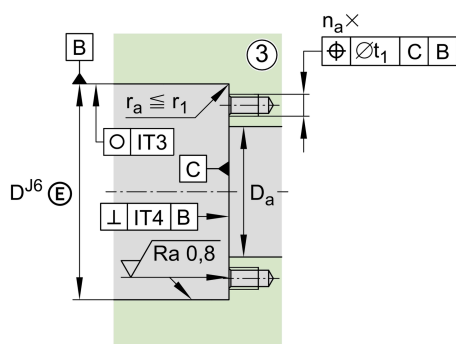
#### Main Dimensions & Performance Data

d	20 mm	Bore diameter
D	80 mm	Outside diameter
H	75 mm	Height
$C_a$	64.000 N	Basic dynamic load rating, axial
$C_{0a}$	141.000 N	Basic static load rating, axial
$C_r$	22.600 N	Basic dynamic load rating, radial
$C_{0r}$	36.000 N	Basic static load rating, radial
$C_{ua}$	13.100 N	Fatigue load limit, axial
$C_{ur}$	5.200 N	Fatigue load limit, radial
$n_{G\text{ Oil}}$	6.000 1/min	Limiting speed for oil lubrication
$n_{G\text{ Grease}}$	1.500 1/min	Limiting speed for grease lubrication
$M_{RL}$	1,3 Nm	Bearing friction torque
	1,19 kg	Weight

#### Mounting dimensions

$D_{a\text{ max}}$	53 mm	Maximum diameter of housing shoulder
$d_{a\text{ min}}$	38 mm	Minimum diameter shaft shoulder





## Dimensions

$H_1$	53 mm	Height outer ring over wave washer
$C$	18 mm	Width, outer ring
$C_1$	10 mm	Distance to lubrication hole
$D_1$	52 mm	Rip diameter shaft washer
$D_2$	40 mm	Heeldiameter wave washer long
$D_3$	50 mm	Outside diameter wave washer long
$B$	12,5 mm	Width, wave washer
$B_1$	27,5 mm	Width wave washer long
$B_2$	13 mm	Width heel wave washer long
$r_{\min}$	0,3 mm	Minimum chamfer dimension
$r_{1 \min}$	0,6 mm	Minimum chamfer dimension 1
$d_1$	3,2 mm	Diameter lubrication hole
$J$	63 mm	Pitch circle diameter (holes)
$n$	12	Number (screwing holes)
$n \times t$	30 °	Split

## Temperature range

$T_{\min}$	-30 °C	Operating temperature min.
$T_{\max}$	120 °C	Operating temperature max.

## Additional information

$c_{aL}$	2.300 N/μm	Rigidity axial
$c_{kL}$	400 Nm/mrad	Tilting stiffness
$M_m$	2,27 kg*cm <sup>2</sup>	Mass moment of inertia
	1 μm	Axial runout
radial	ZMA20/52	Recommended INA precision locknut for radial locking (not included)
axial	AM20	Recommended INA precision locknut for axial locking (not included)
$M_A$	38 Nm	Tightening torque nut
	17.623 N	Required locknut force
	40X52X7	Rotary shaft seal to DIN 3760 (not included)
	M6	Size fixing screws DIN EN ISO 4762 10.9 (not included)
$n_a$	12	Number of screws
$na \times ta$	30 °	Division (screwing holes)